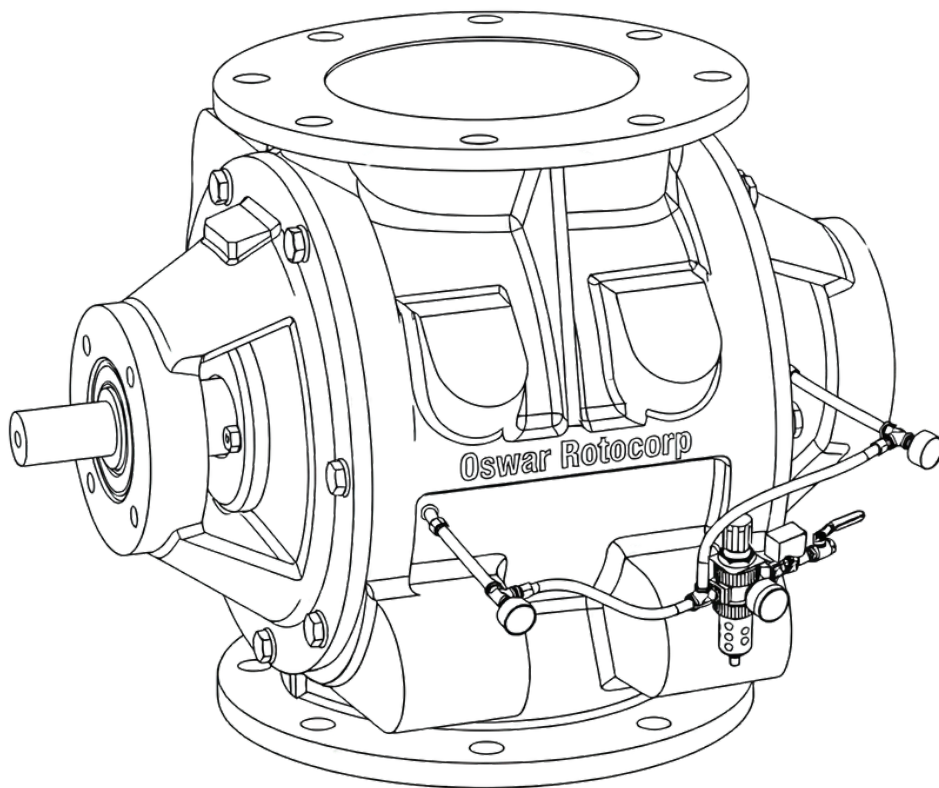



ROTARY AIR LOCK

SPARE PARTS IDENTIFICATION GUIDE



OSWAR
rotocorp

A photograph of an industrial facility, likely a steel mill or refinery, during sunset. The sky is a mix of orange, red, and yellow, with smoke rising from the buildings. In the foreground, there are large stacks of straw or hay. The overall scene is industrial and atmospheric.

A Rotary Valve consists of multiple precision-engineered components that work together to maintain controlled material discharge and airlock integrity. Accurate identification of each component is essential for proper maintenance and timely replacement.

PRIMARY COMPONENT LIST:

- Housing Body
- Rotor with Vanes
- End Covers (Drive Side & Non-Drive Side)
- Main Shaft
- Bearings
- Shaft Seals
- Drive Coupling
- Mounting Base

ENSURING CORRECT PART SELECTION & FITMENT

1. Identification Best Practices

- Refer to equipment nameplate
- Cross-check part numbers from technical drawing
- Confirm dimensional compatibility
- Verify material grade

2. Recommended Spare Inventory

For continuous-duty operations, it is recommended to maintain:

- Complete Rotor Assembly
- Bearing Sets
- Shaft Seals
- Gasket Sets
- Fastener Kits
- Wear Liners (if applicable)

3. Installation Precautions

- Ensure equipment shutdown & isolation
- Follow proper alignment procedures
- Maintain recommended internal clearances
- Use genuine spare components only

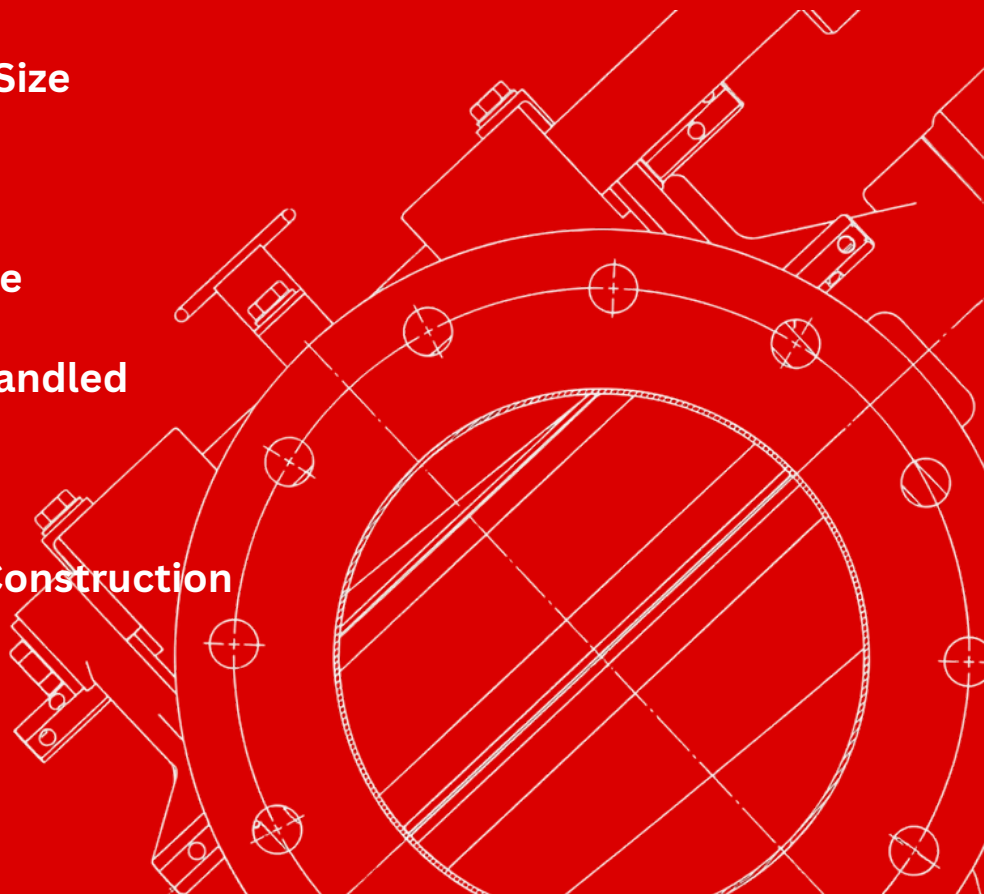
CRITICAL WEAR COMPONENTS

High-Wear Parts:

- Rotor Tips
- Internal Housing Surface
- Shaft Seals
- Bearings
- Gaskets
- Wear Liners (if applicable)

PART IDENTIFICATION PARAMETERS

- Rotary Valve Model & Size
- Serial Number
- Operating Temperature
- Material Type Being Handled
- Pressure Conditions
- Required Material of Construction



OSWAR

rotocorp

Corporate Office

Jaipur, Rajasthan India
Nagpur, Maharashtra India

Sales Inquiries

info@oswarrotocorp.com

Helpline

[+44 7917 128505](tel:+447917128505) | +91 77422 36474

Copyright © 2026 OSWAR ROTOCORP. All Rights Reserved. OSWAR® is a registered trademark of **OSWAR ROTOCORP**. This brochure makes no offers, representations or warranties (express or implied), and information and data contained in this brochure are for general reference only and may change at any time.